

Kitchen Cabinets (wall)

ASSEMBLY INSTRUCTIONS

W0930-W4230, WBC2730, W0936-W4236, WBC2736, W0942-W4240, WBC2742

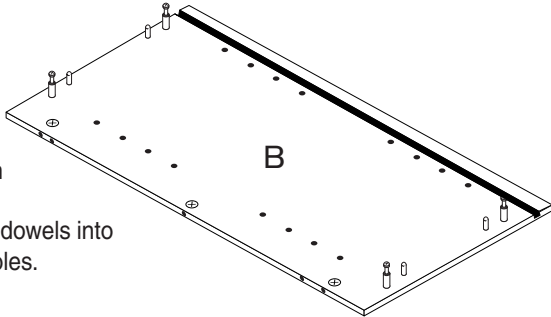
PARTS LIST: A – Faceframe with door (1 piece)
 B – Side Panel (2 pieces)
 C – Bottom (2 pieces)
 E – Back Panel (1 piece)

F – Shelf (3 pieces)
 H – Hardware Box (1):
 cam locks
 metal screw dowels
 wooden dowels
 shelf clips
 back screws.

TOOL LIST: Phillips screwdriver
 (or Cordless drill with
 phillip tip, optional)

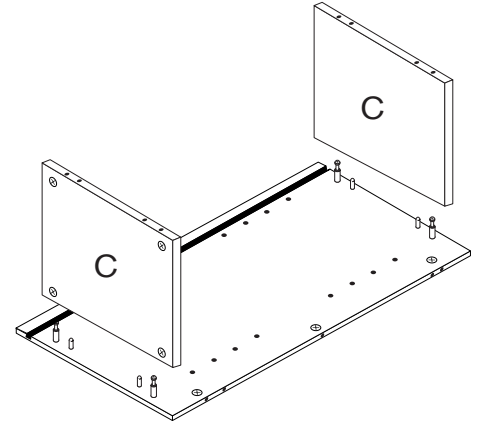
(1)

Place panel **B** on a flat, clean surface. Insert camlocks and dowels into appropriate holes.



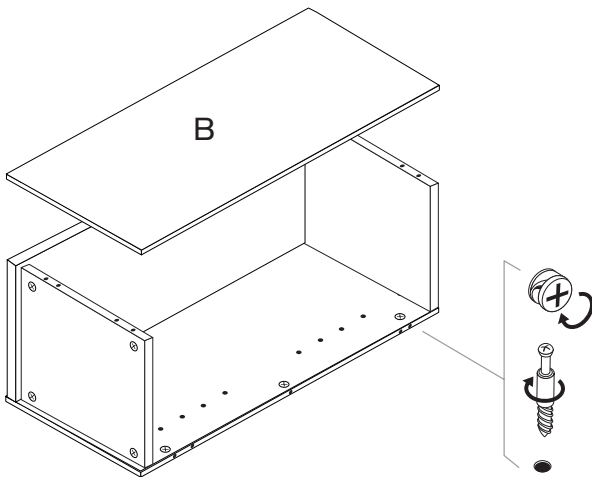
(2)

Install panels **C** onto **B** panel and turn camlocks to secure.



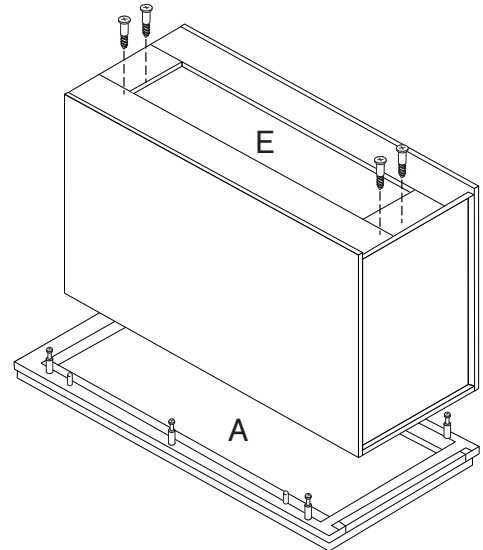
(3)

Place second panel **B** and panel **E** into place and turn camlocks to secure.

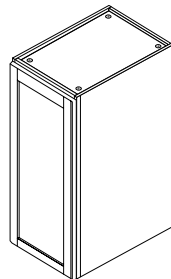


(4)

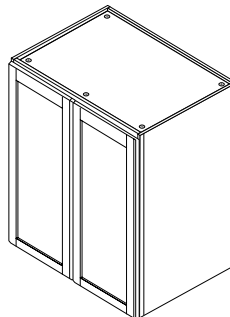
Nearly completed cabinet can now be mated to panel **A**.



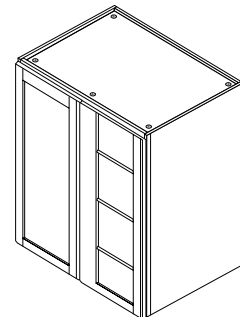
TIPS: Don't rush the assembly, get it right the first time. Test fit first before locking anything down. Don't over tighten the cam locks and only use a screw driver on them, since a cordless drill could have too much torque and break the cam.



W0930



W3630



WBC2730